



Staffan RA



To secure that the walking-aid will function safely for the user, once per year review of the walking-aid should be done. Therefore is the following interventions recommended.

Cleaning

When cleaning the walker it is recommended machine washing, 60 degrees for 10 minutes. When using a pressure washer, do not wash directly to the bearings. In addition to machine washing, regular cleaning with a mild cleanser is recommended. **Note!** Do NOT use thinner, petrol or other solvents.

Post treatment

After washing, all connections, tight spaces and drainage holes should be blown dry and sprayed with thin oil. If degreaser is used, should the moving parts be lubricated.

The Paint

Control damages to the paint. To prevent corrosion, improve scratches. Touch-up paint can be ordered from Human Care HC AB.

Pipe frame

Control weldings and screw attaches. If the corrosion is extensive shall the rollator be replaced.



Handle

Must be fixed. Make sure the handle pipes can be pushed down to the chassis. Change the grip if needed.

Brakes

Control that both brakes and parkingbrakes are working. Wires should be intact and strapped to the chassis.

Wing nut

Control function.

CE-marking

Make sure that the CE-marking is still there and readable.

Wheels

Make sure the wheels are not worn-out and are spinning easily without any noise.

Front forks

Make sure that the forks swings easily.

Lubrication

The front forks shall function without noise, lubricate when needed.

Stability

Control that all wheels are steadily on the ground and that there are no chassis distortion.

Test driving

Make a final control by test driving.



Note!

Recondition must be done by a person who has good knowledge about how the job should be performed. An incorrect performed recondition could result in an accident/incident. Don't hesitate to contact your retailer if questions come up.

When exchanging parts of the rollator, use only Human Care parts to ensure continued CE-validation.

When disassembling a wheel, the wheel nut and pin bolt must be replaced since they contain a self-locking that will be destroyed when disassembling.

If the corrosion is more than a film of rust the rollator shall be discarded and return for recycling.

Intended use

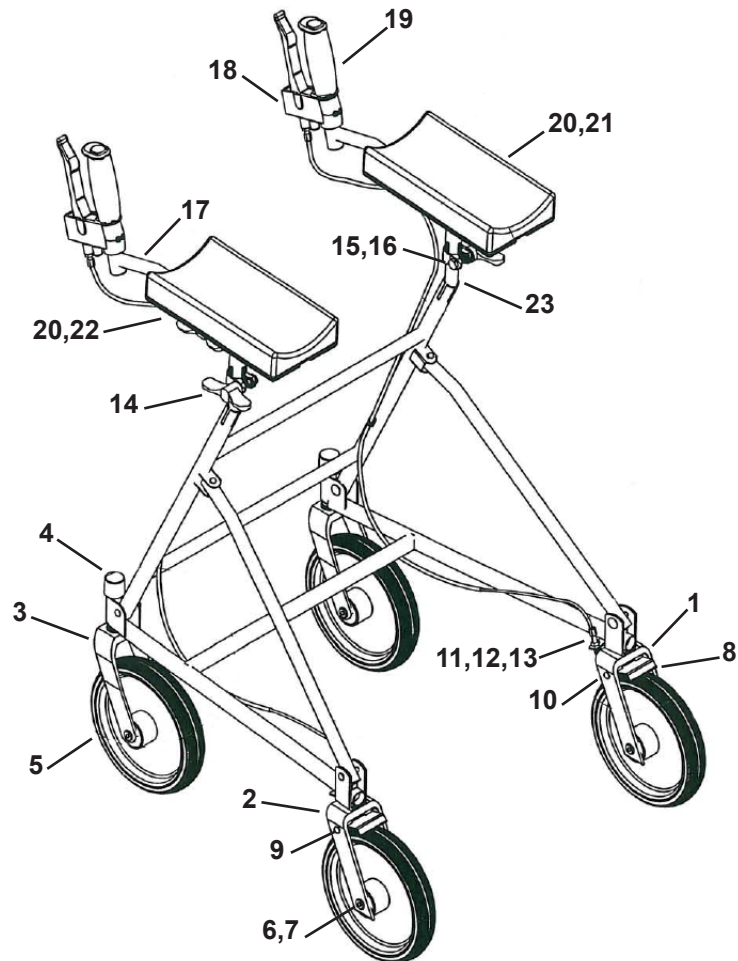
The rollator should only be used as support whilst walking. Do not alter the rollator yourself.

Product number:
Owner:
Notes:
Attended by:
Place and date:

Spareparts list

No	Designation	Quantity	Art. no	Other information
1	Rear fork right complete	1	400-019H	<i>Pin bolt and wheel nut must be exchanged when disassemble the fork.</i>
2	Rear fork left complete	1	400-019V	<i>Pin bolt and wheel nut must be exchanged when disassemble the fork.</i>
3	Front fork	2	200-006	<i>Pin bolt and wheel nut must be exchanged when disassemble the fork.</i>
4	Cover lid	2	20-014	
	Wheel kit	4	89015	<i>Pin bolt and wheel nut must be exchanged when disassemble the wheel.</i>
5	Wheel with bearing	4		
6	Pin bolt	4		
7	Wheel nut	4		
8	Brake	2	10-013	
9	Pop nut-brake	2	000139	
10	Starlock-D6	6	00113	
11	Brake spring	2	00131	
12	Adjustment screw	2	10-010	
13	Wire lock	2	10-017	
	Wing nut complete	4	50937	<i>Lubricate the wing nut when needed.</i>
14	Wing nut	4		
15	Screw	4		
16	Washer	4		
17	RA handle	2	20-064	
18	Handle brake complete	2	10650	<i>Complete with housing, brake handle and pop nut.</i>
19	Handle	2	00020	
20	RA-cushion	1	20-054	
21	RA bracket left	1	400-001H	<i>Staffan RA low</i>
21	RA bracket right	1	400-028H	<i>Staffan RA high. Complete with handle pipe.</i>
22	RA bracket left	1	400-001V	<i>Staffan RA low</i>
22	RA bracket right	1	400-028V	<i>Staffan RA high. Complete with handle pipe.</i>
23	Handle pipe	1	400-025	<i>Staffan RA low</i>
	Wire and housing	2	89100	<i>Staffan RA low</i>
	Wire and housing	2	89105	<i>Staffan RA high</i>

RECONDITIONING MANUAL



• Årstaängsvägen 21C, SE-117 43 Stockholm, Sweden •
• Tel. +46(0)8 - 510 132 00 • Fax +46(0)8 - 665 35 10 •
• www.humancaregroup.com •