



Svea TW



To secure that the walking-aid will function safely for the user, once per year review of the walking-aid should be done. Therefore is the following interventions recommended.

Cleaning

When cleaning the walker it is recommended machine washing, 60 degrees for 10 minutes. When using a pressure washer, do not wash directly to the bearings. In addition to machine washing, regular cleaning with a mild cleanser is recommended. **Note!** Do NOT use thinner, petrol or other solvents.

Post treatment

After washing, all connections, tight spaces and drainage holes should be blown dry and sprayed with thin oil. If degreaser is used, should the moving parts be lubricated.

The Paint

Control damages to the paint. To prevent corrosion, improve scratches. Touch-up paint can be ordered from Human Care HC AB.

Pipe frame

Control weldings and screw attaches. If the corrosion is extensive shall the trolley walker be replaced.



Handle

Must be fixed. Change the grip if needed.

Brakes

Control that both brakes and parkingbrakes are working. Wires should be intact and strapped to the chassis.

Wing nut

Control function.

CE-marking

Make sure that the CE-marking is still there and readable.

Gas piston

Control that the rise and lowering can be done without problems. Also check the gas piston is not damaged, corroded or leaking.

Front forks

Make sure that the forks swings easily.

Wheels

Make sure the wheels are not worn-out and are spinning easily without any noise.

Rise and lowering

Control that the rise and lowering can be done without problems.

Lubrication

The front forks shall function without any noise, lubricate if needed. If the gas piston is dry, lubricate if needed.

Stability

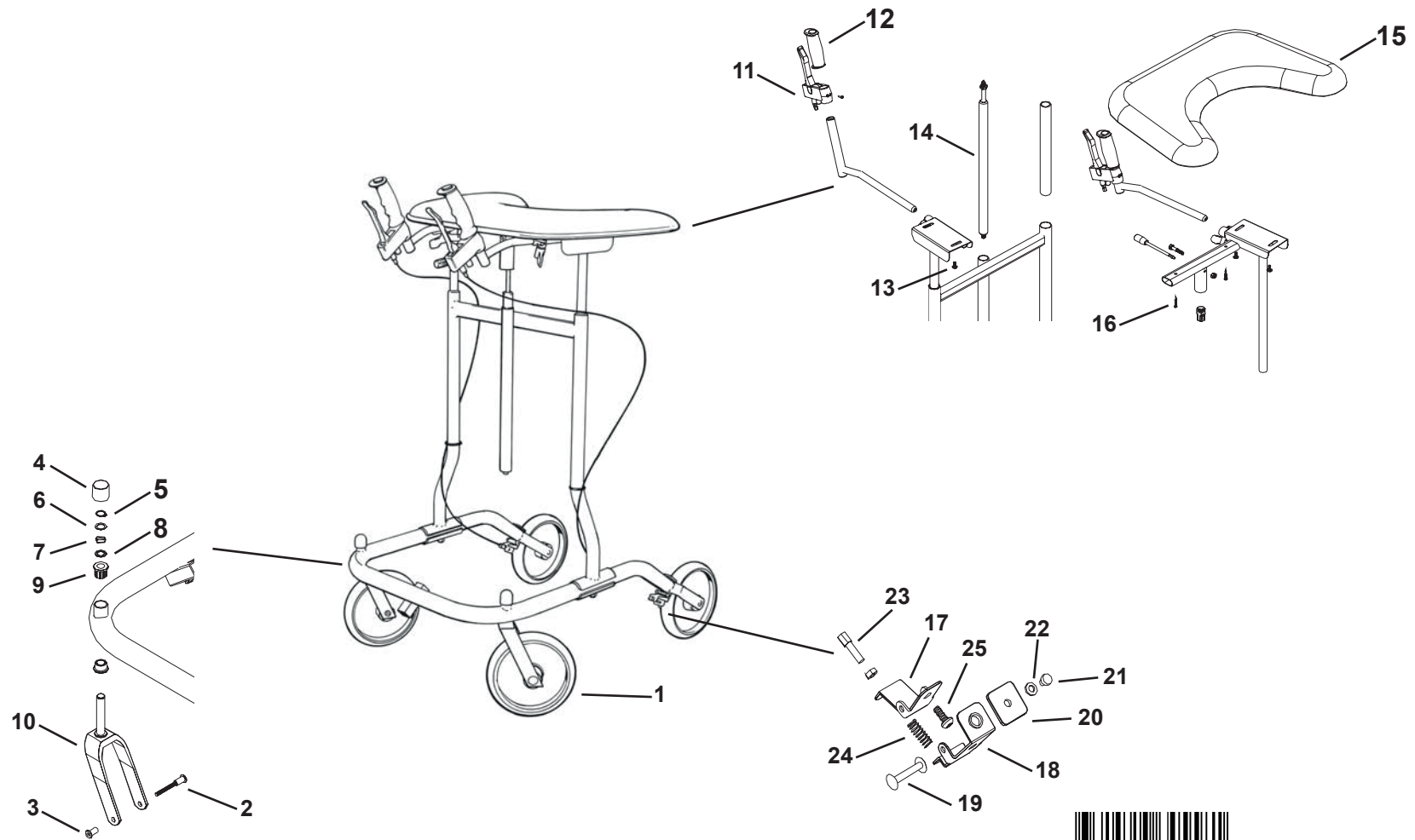
Control that all wheels are steadily on the ground and that there are no chassis distortion.

Test driving

Make a final control by test driving.



RECONDITIONING MANUAL



• Årstaängsvägen 21C, SE-117 43 Stockholm, Sweden •
 • Tel. +46(0)8 - 510 132 00 • Fax +46(0)8 - 665 35 10 •
 • www.humancaregroup.com •